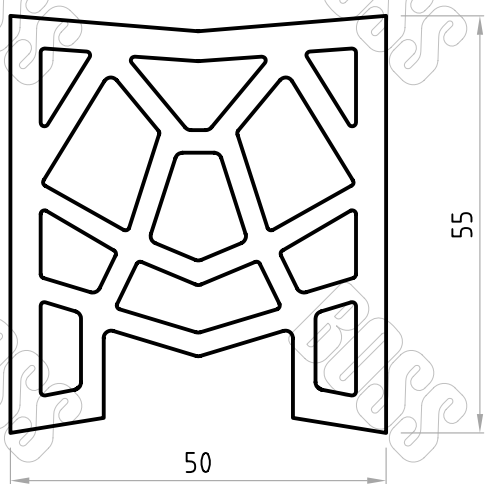
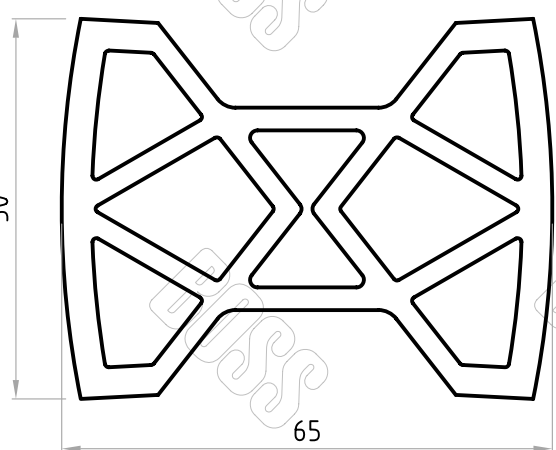


Part No. SK-2701T

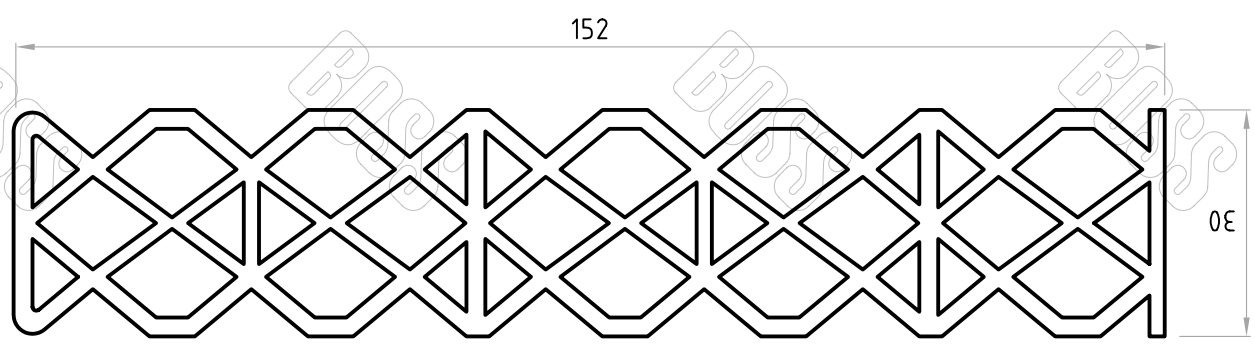


Part No. SK-2701S



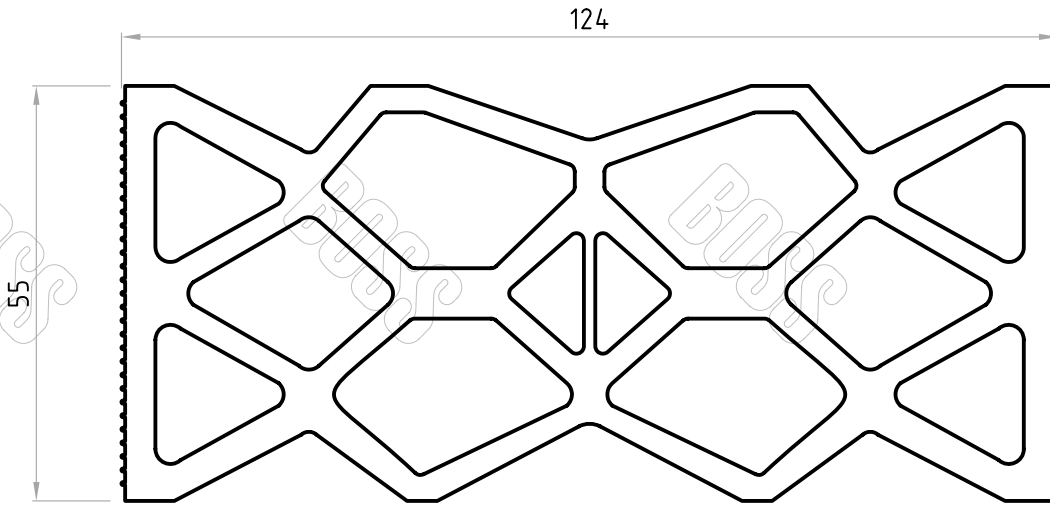
Part No. SK-2703T

NOTE:- SOME PROFILES APPEARING ON THIS PAGE
HAVE BEEN ALTERED TO PROTECT CLIENT CONFIDENTIALITY

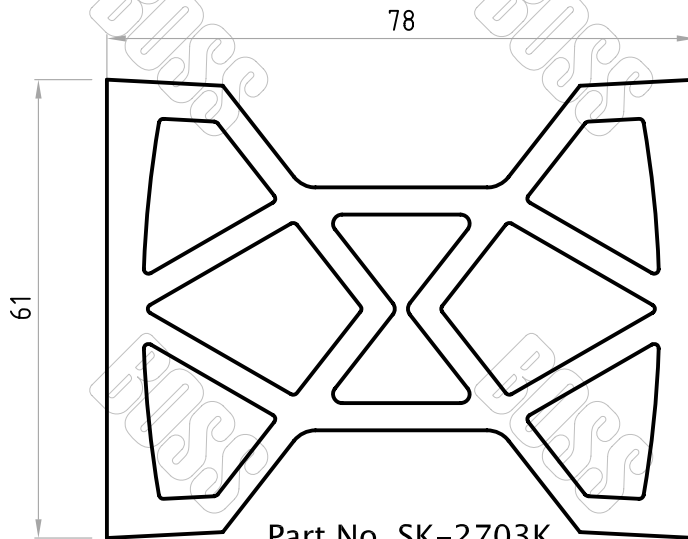


Part No. D02417

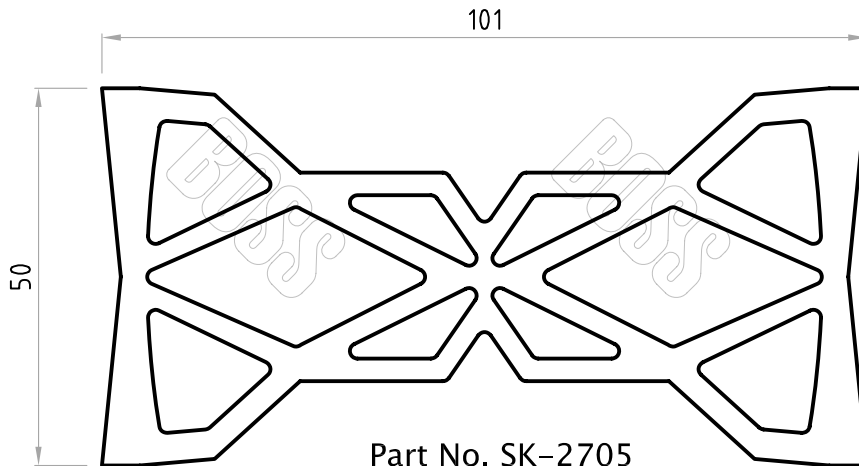
* Profile drawings appearing in this section are indicative only. some profiles may be restricted to specific customers, patents and or other limitations. The material displayed on this page may not be reprinted or otherwise reproduced without the express written permission of Boss Polymer Technologies.



Part No. SK-2702



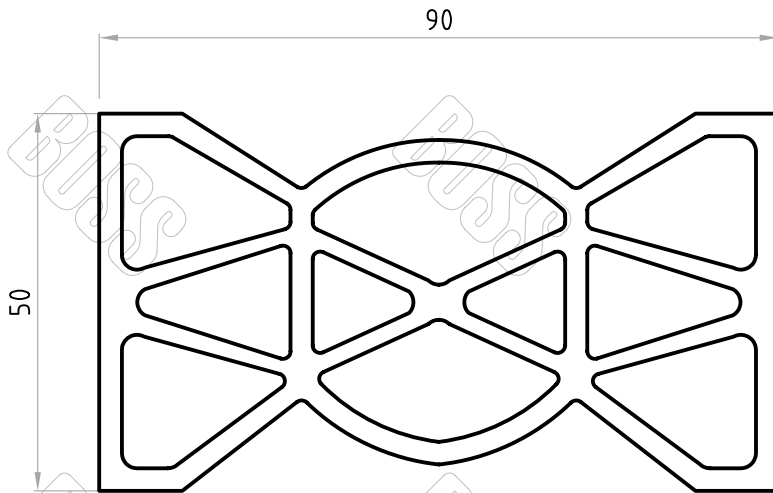
Part No. SK-2703K



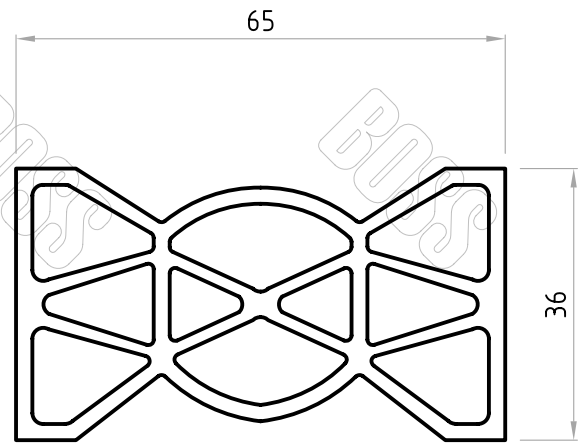
Part No. SK-2705

NOTE:- SOME PROFILES APPEARING ON THIS PAGE
HAVE BEEN ALTERED TO PROTECT CLIENT CONFIDENTIALITY

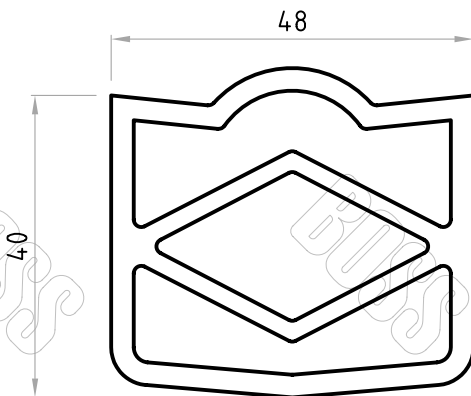
* Profile drawings appearing in this section are indicative only. some profiles may be restricted to specific customers, patents and or other limitations. The material displayed on this page may not be reprinted or otherwise reproduced without the express written permission of Boss Polymer Technologies.



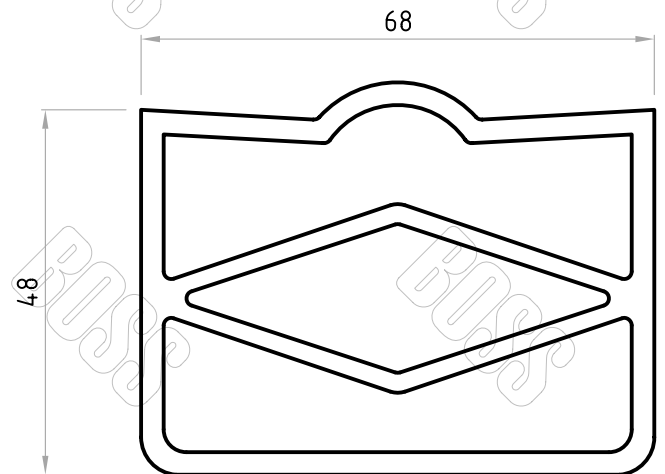
Part No. SK-2706



Part No. SK-2710



Part No. SK-2707T

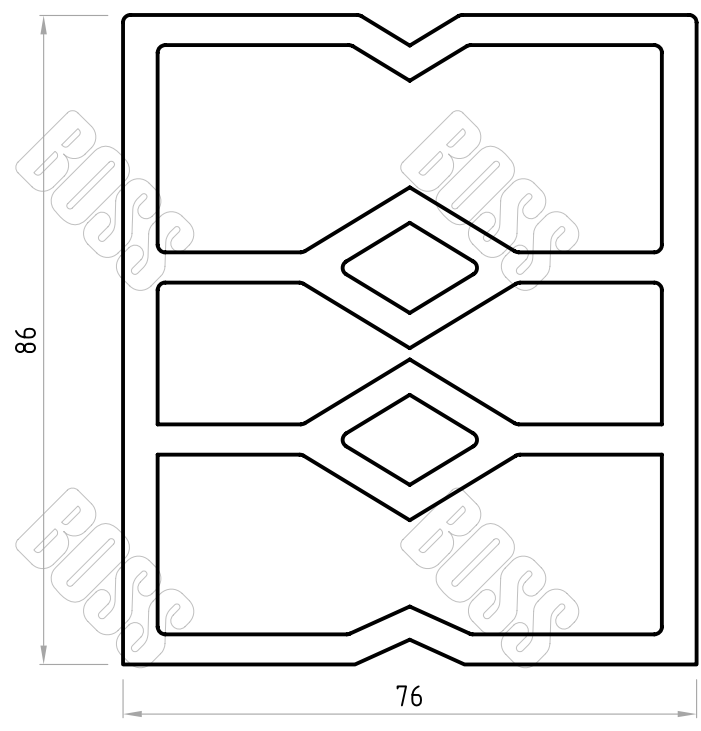


Part No. SK-2708S

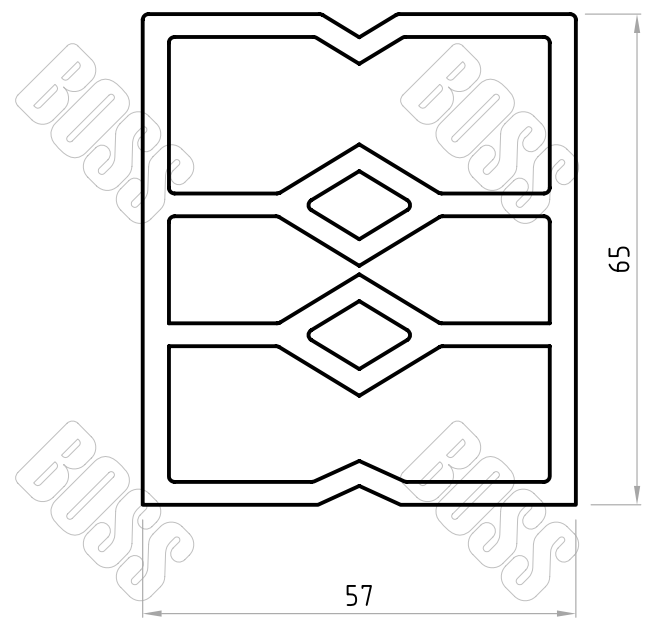
**NOTE:- SOME PROFILES APPEARING ON THIS PAGE
HAVE BEEN ALTERED TO PROTECT CLIENT CONFIDENTIALITY**

* Profile drawings appearing in this section are indicative only. some profiles may be restricted to specific customers, patents and or other limitations.
The material displayed on this page may not be reprinted or otherwise reproduced without the express written permission of Boss Polymer Technologies.

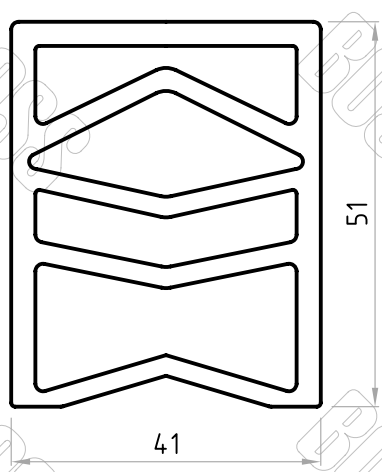
BOSS POLYMER TECHNOLOGIES PTY LTD
Melbourne Australia
PH: (613) 9561 2777
FAX: (613) 9560 8777
www.bosspolymer.com.au
E-MAIL: sales@bosspolymer.com.au



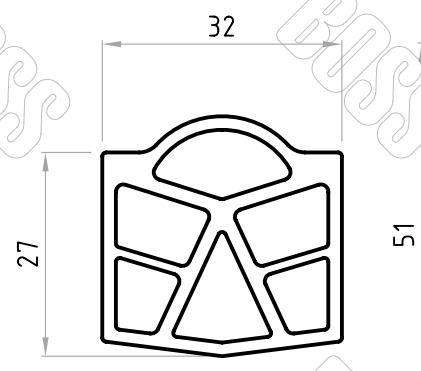
Part No. SK-2712S



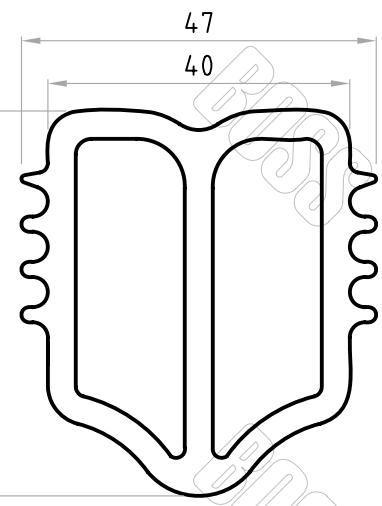
Part No. SK-2712T



Part No. SK-2715



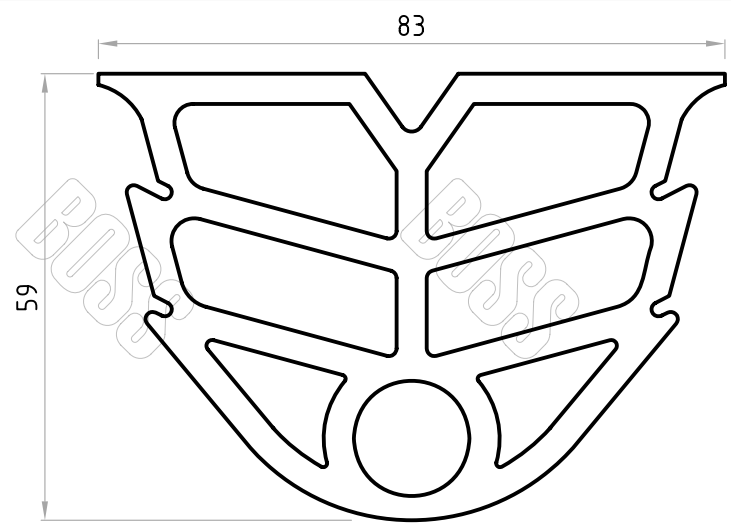
Part No. SK-2718



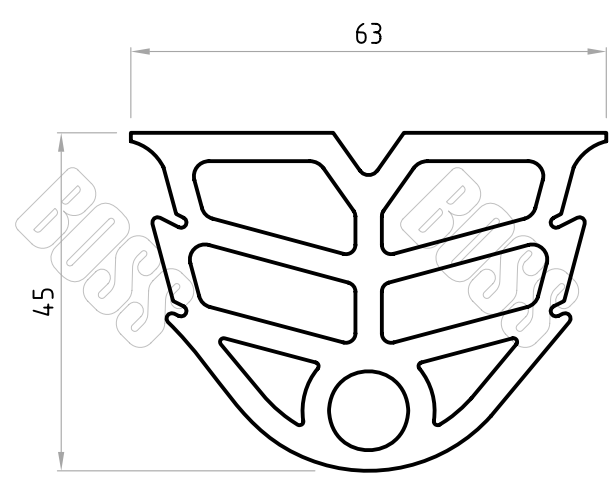
Part No. D03378

**NOTE:- SOME PROFILES APPEARING ON THIS PAGE
HAVE BEEN ALTERED TO PROTECT CLIENT CONFIDENTIALITY**

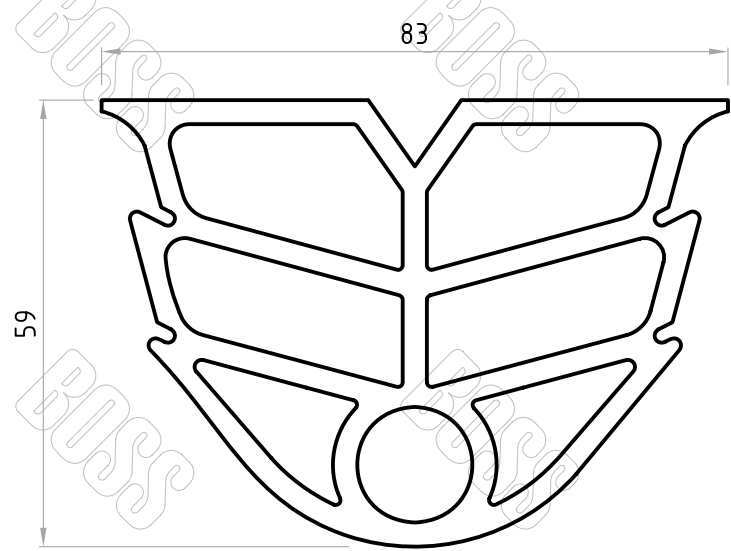
* Profile drawings appearing in this section are indicative only. some profiles may be restricted to specific customers, patents and or other limitations. The material displayed on this page may not be reprinted or otherwise reproduced without the express written permission of Boss Polymer Technologies.



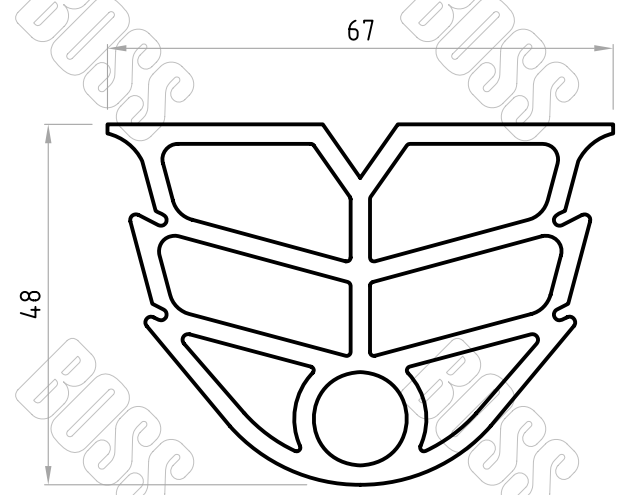
Part No. D03154



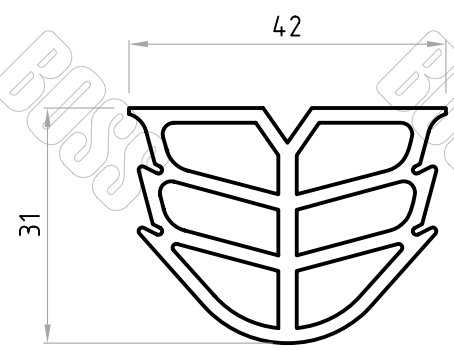
Part No. D03153



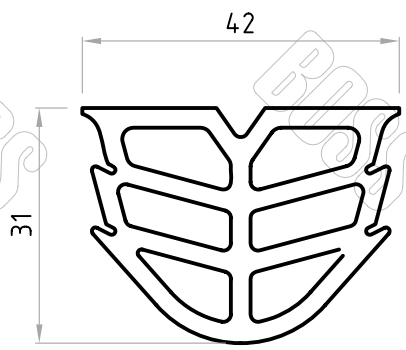
Part No. D00259



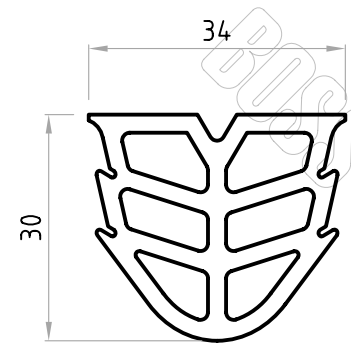
Part No. D00843
Part No. D00261
Part No. D00262
Part No. D00844
Part No. D02309



Part No. D02136
Part No. D02308

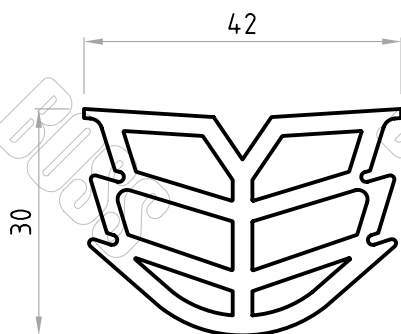


Part No. D03152

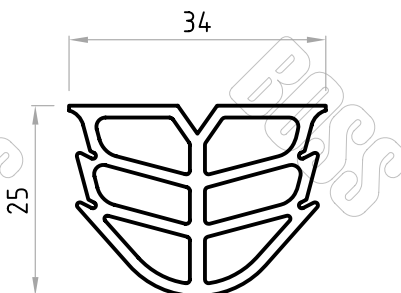


Part No. D03151

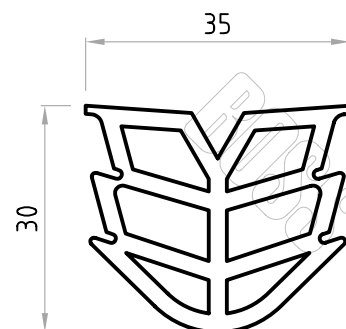
* Profile drawings appearing in this section are indicative only. some profiles may be restricted to specific customers, patents and or other limitations. The material displayed on this page may not be reprinted or otherwise reproduced without the express written permission of Boss Polymer Technologies.



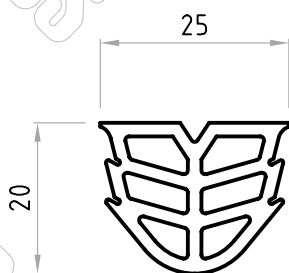
Part No. D00263



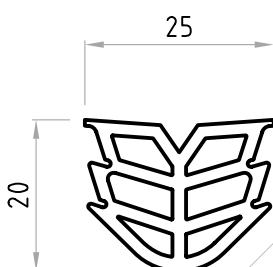
Part No. D00655-A



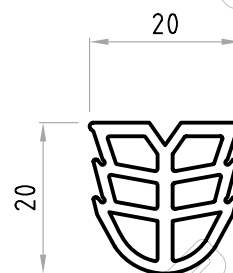
Part No. D00655-B



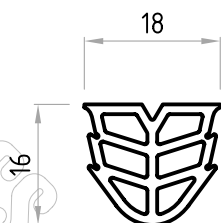
Part No. D03150



Part No. D03140



Part No. D02338



Part No. D03149

Part No. D03286

* Profile drawings appearing in this section are indicative only. some profiles may be restricted to specific customers, patents and or other limitations.
The material displayed on this page may not be reprinted or otherwise reproduced without the express written permission of Boss Polymer Technologies.

BOSS POLYMER TECHNOLOGIES PTY LTD
Melbourne Australia
PH: (613) 9561 2777
FAX: (613) 9560 8777
www.bosspolymer.com.au
E-MAIL: sales@bosspolymer.com.au